

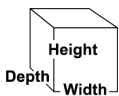
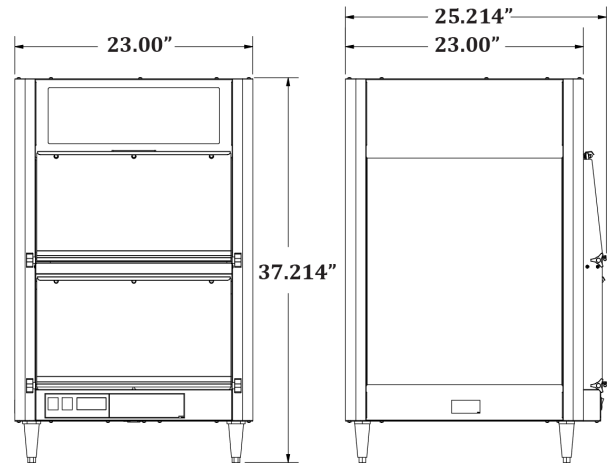


GOLD MEDAL® PRODUCTS CO.

Bulk Holding Cabinet (Nacho Sign)

Model No. 5889-00-100

Specifications



Overall Dimensions:

Width: 23" (58.5 cm)
Depth: 25.214" (64.1 cm)
Height: 37.214" (94.6 cm)

Features:

- LED Lighted Nachos Sign
- LED Lighted Cabinet
- Digital Temperature Control

Electrical - Domestic

120V
930 WATTS 60 HZ
(NEMA 5-15P) Plug

Plug Type:



Agency Approvals:



Gold Medal Products Co.
10700 Medallion Drive, Cincinnati, OH 45241

Ph: (513) 769-7676, (800) 543-0862; Fax: (513) 769-8500
gmpopcorn.com info@gmpopcorn.com